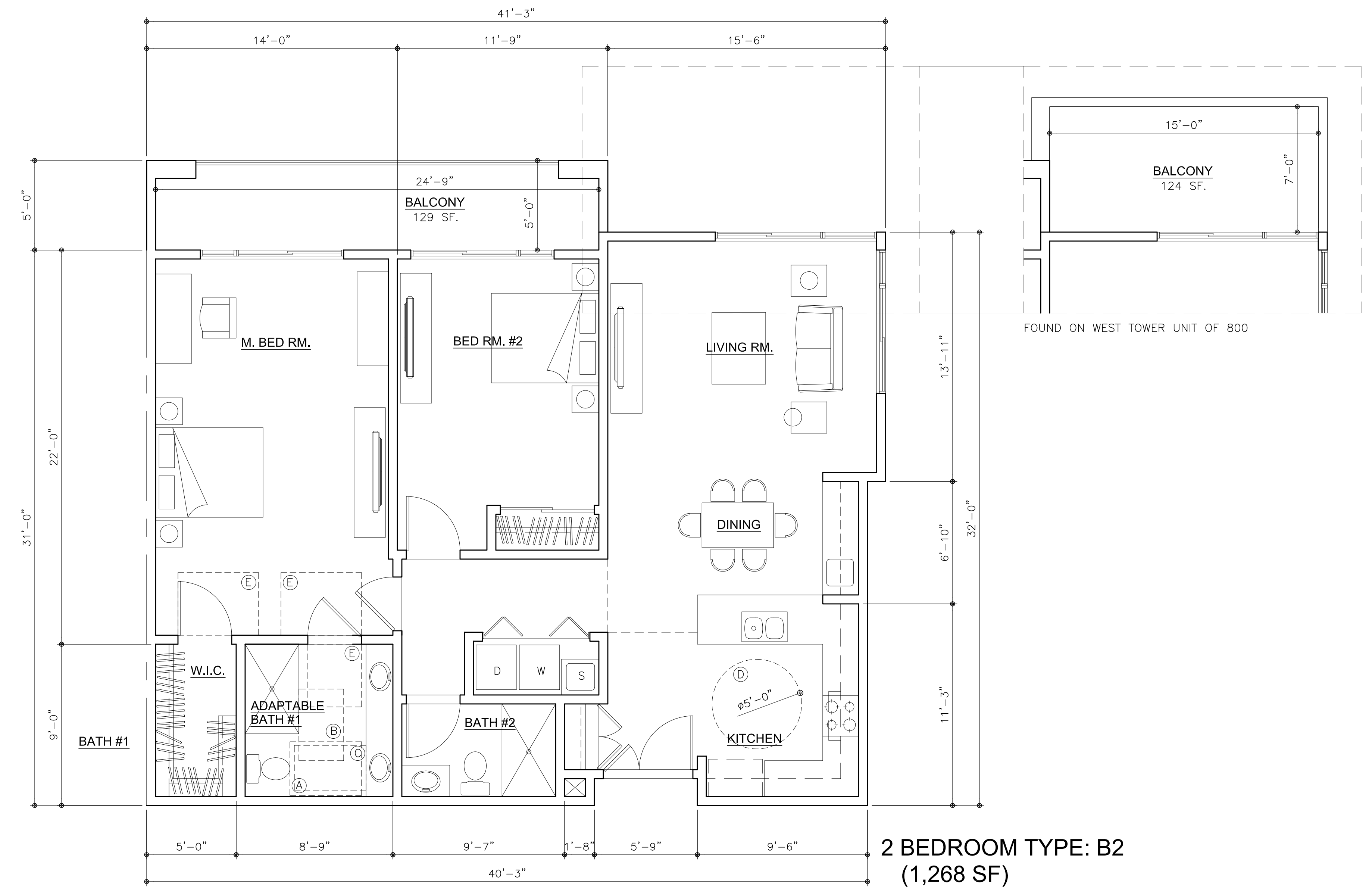


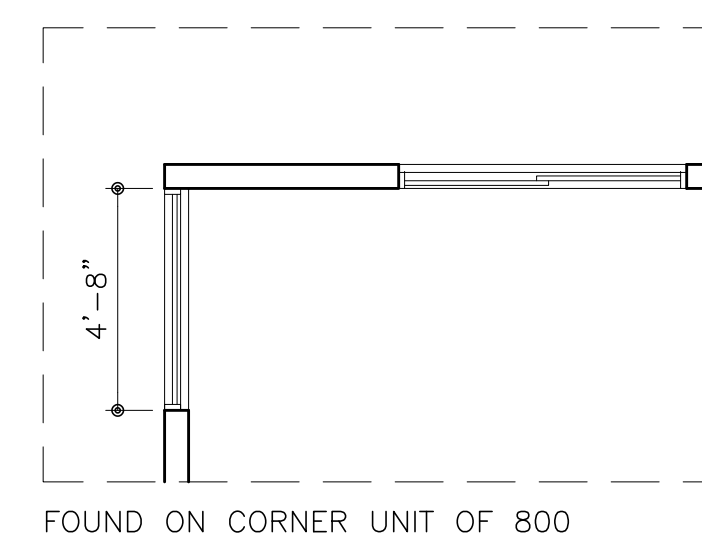
**2 BEDROOM TYPE: B3  
(1,371 SF)**



**2 BEDROOM TYPE: B2  
(1,268 SF)**

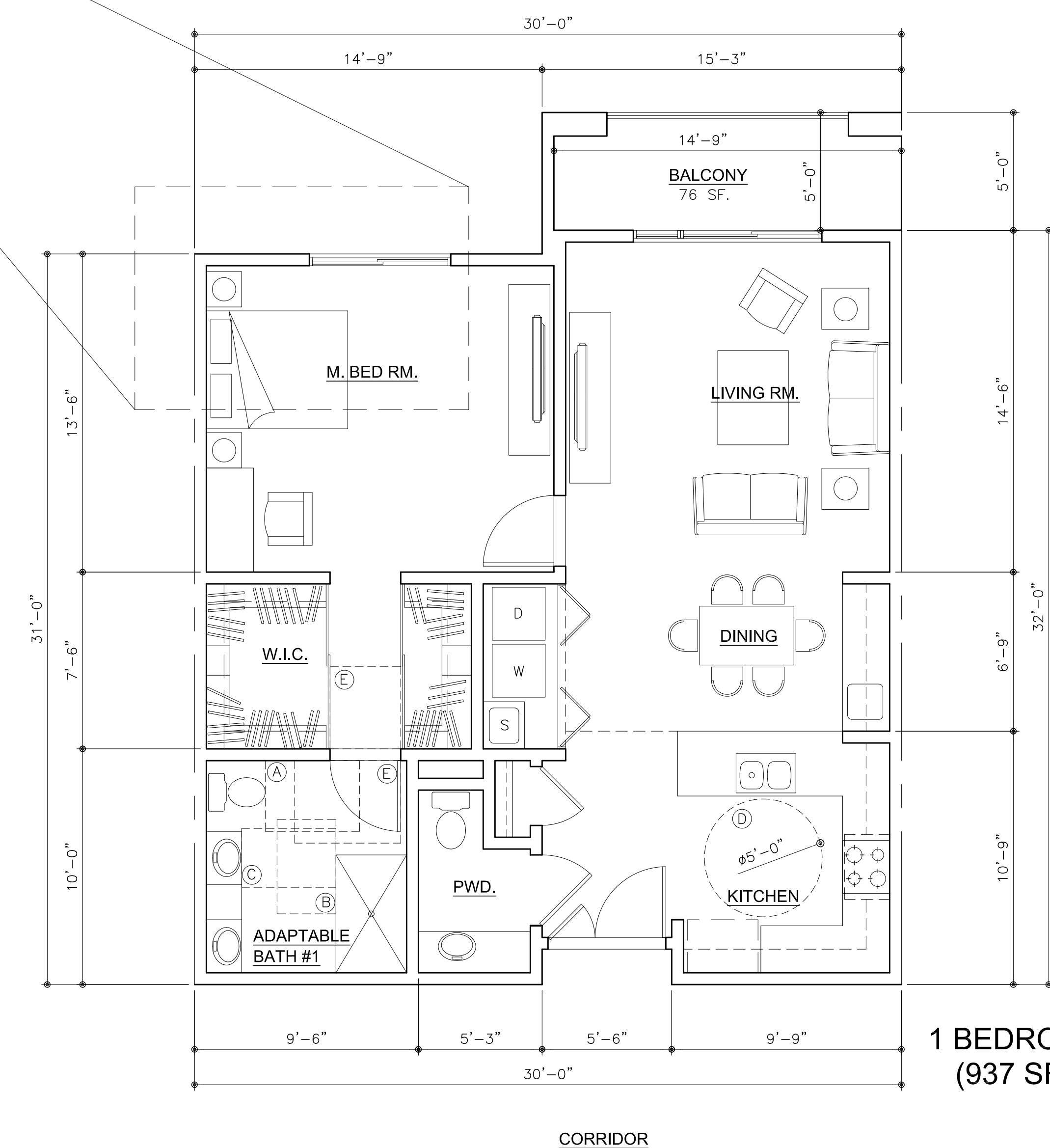


**2 BEDROOM TYPE: B1  
(1,259 SF)**



FOUND ON CORNER UNIT OF 800

- FLOOR SPACE REQUIREMENT:
- (A) 36" X 48" TOILET ACCESS
  - (B) 30" X 48" TUB ACCESS
  - (C) 30" X 48" SHOWER ACCESS
  - (D) 30" X 48" LAVATORY ACCESS
  - (E) 60" DIA ACCESS
  - (F) 42" X 36" DOOR MANEUVERING CLEARANCE
  - (G) 42" X 54" AT PULL SIDE



**1 BEDROOM TYPE: A1  
(937 SF)**